



UPPS-1

Universal Programmable Power Supply User Manual & Quick Start



UM-000713

6 Yad-Harutzim st.
Kfar-Saba, 4464103, Israel
Fax: 09-7417422
Tel: 09-7417411
www.adcom-prodcuts.com

Revision A

Version	Issued By	Issue Date	Comments
1.0	Eli Moshe	29.10.2013	New Product

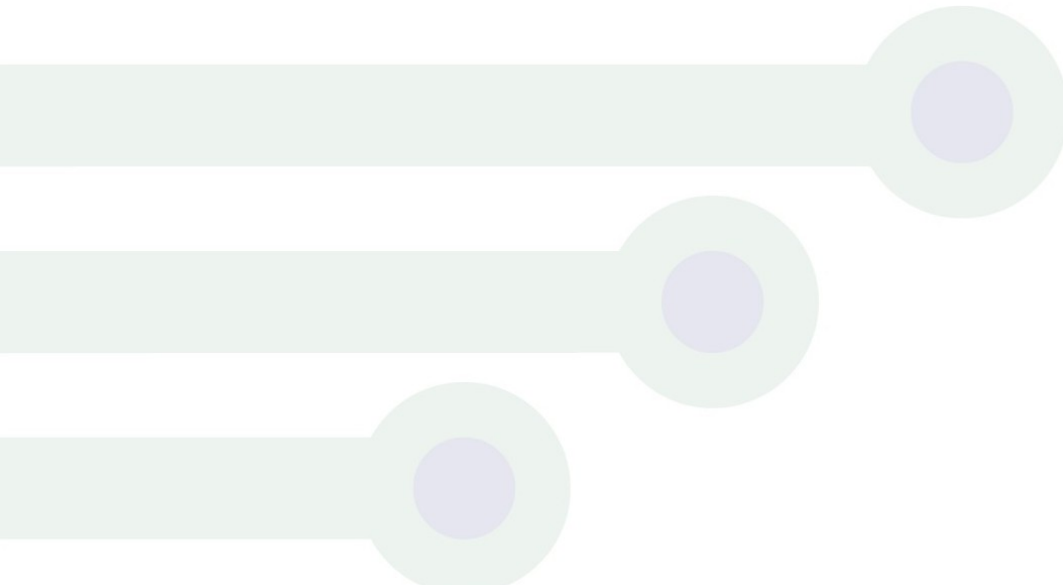




Table of Contents

Standalone option	4
1.1 Set Programmable Power Supplies (PPS)	4
USB PC Option	6
1.2 Down Load Application via USB cable to PC	6
User Manual	8
1. Introduction	8
1.1 Purpose.....	8
1.2 Scope	8
1.3 First Step.....	8
1.4 UPPS-1 Features	8
Using the UPPS-1	9
1.5 Programmable Power Supplies (PPS).....	9
1.6 DVM	10



UPPS-1

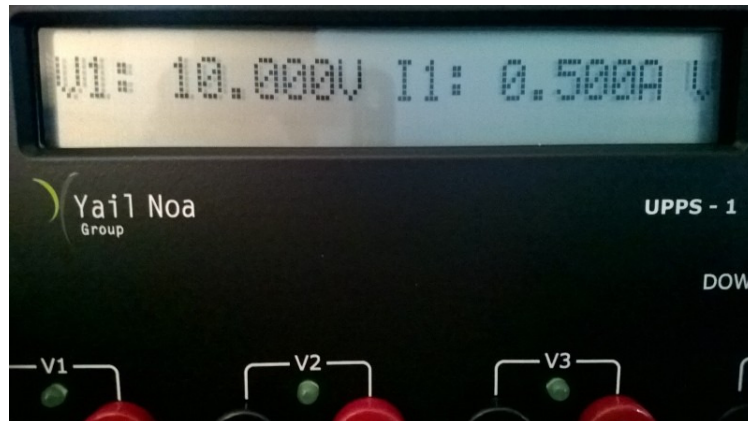
The UPPS-1 device can operate as a standalone Power Supply device or be connected via USB cable to a PC

- ✓ The device is composed of 4 power supply channels
- ✓ All 4 PPS are connected to a common return (GND).
- ✓ Total power of the 4 PPS limited to 90W
- ✓ The UPPS-1 alerts for any excess of power and disables the option of update the UPPS-1.

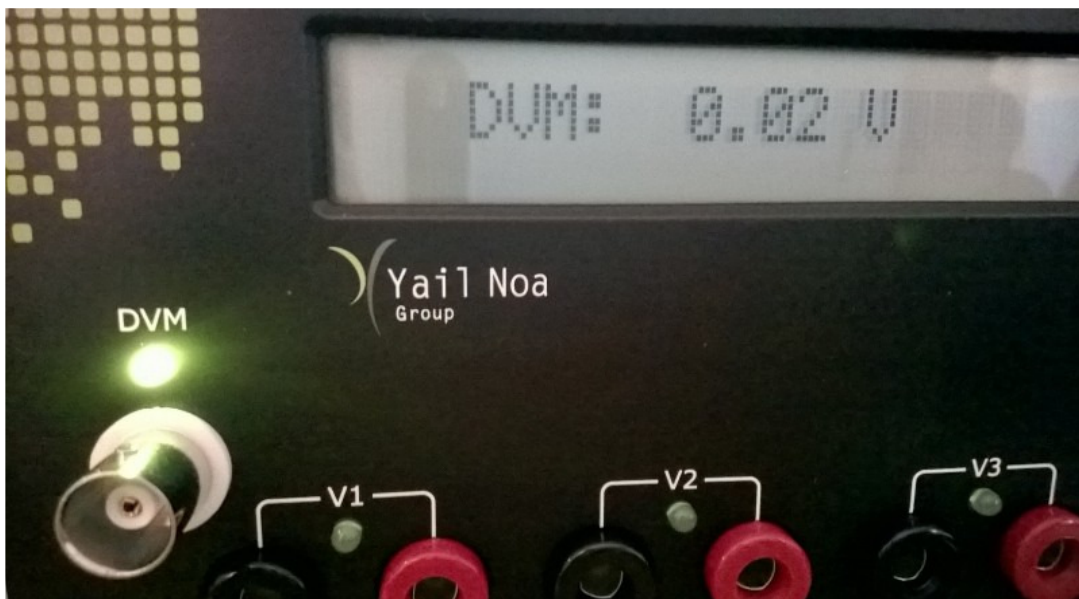
Standalone option

1.1 Set Programmable Power Supplies (PPS)

1. Switch Power on
2. Each channel (Voltage/Current consumption) is displayed in a cyclic pattern.
3. Configuration
 - a. Push and hold knob for 2 seconds
 - b. "V" blinks
 - c. Rotate the knob to set the desired "Voltage" between 0.8-30V
 - d. Click on the knob once to set the current limit (must be set) 0.2-3A
 - e. Click on the knob once to enable the desired channel
 - f. Rotate the knob once to change the "X" (disable) mode to "V" (enable) mode
 - g. Another click will take you to the next channel
 - h. Once completed selection press and hold the knob for 2 seconds
 - i. To Activate the enabled channels press Enter
 - j. All enabled channels LEDS are ON.



4. To view channels rotate the knob to the desired channel and click the knob once.
5. The UPPS-1 can measure Voltage as DVM up to 50V
 - a. Connect a BNC cable to the DVM and place the tip on the requested measured point.
 - b. Rotate the knob till DVM mode is displayed and press the knob once



6. In any mode you can press the knob to exit from a screen on the display.

USB PC Option

1.2 Down Load Application via USB cable to PC

Go to www.adcom-products.com website and choose UPPS-1.

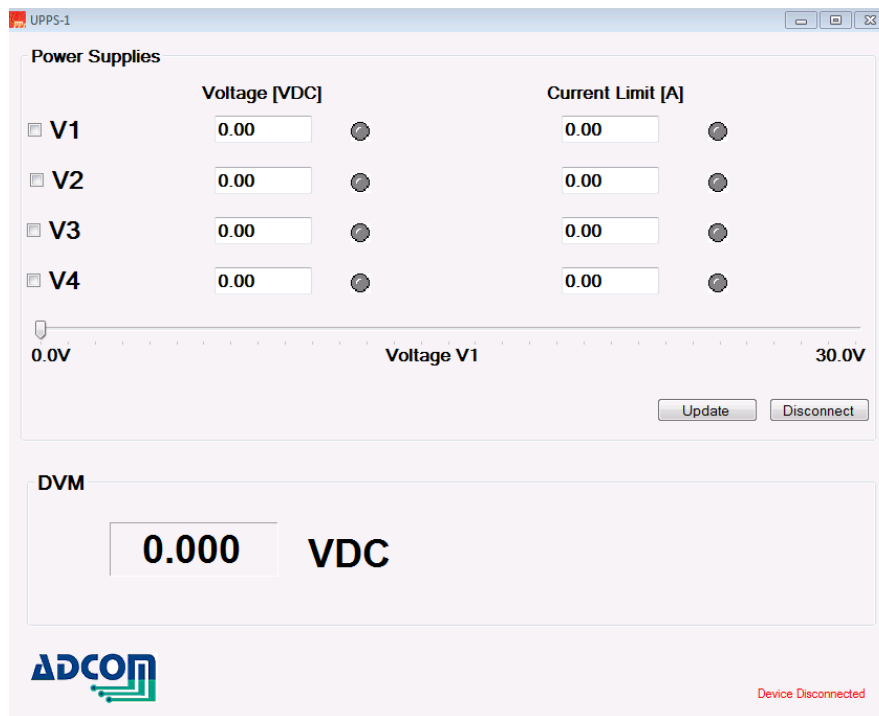
Click on UPPS-1 Ver 1_00.msi to install the UPPS-1 driver from Adcom website.

Once completed the UPPS-1 *an* ICON will appear on your desktop like:



Click on the icon to activate UPPS-1.

You will get the below screen.



1. To select a channel check the channel check box
2. Set the voltage by typing in the desired voltage or by sliding the ruler
3. Set the current limit by typing in the desired current or by sliding the ruler
4. Press "update" to activate the selected channel



5. To deactivate press "disconnect"
6. For DVM usage connect a BNC cable to the BNC Connector and place the tip on the requested measured point.
7. The measurement will show up in the DVM window

End of Quick Start

User Manual

1. Introduction

1.1 Purpose

The purpose of this document is to guide the user through the functional usage of the UPPS-1.

1.2 Scope

The Universal Programmable Power Supply - UPPS-1- serves as a panel mount device for 4 programmable power supplies.

Each Power Supply supports 30V@3A. Maximum power output is 90W.

User friendly GUI enables navigating between the UPPS-1 features.

The device operates in 2 modes

1. Stand alone option
2. USB to PC option

1.3 First Step

- Click on the [link](#) and run **Installation**
- Connect an external Power Supply of 32VDC to the Power Jack at the rear side.
- Turn power ON.
- Connect the USB cable between the UPPS-1 and the PC USB input.
- An audio tone acknowledges that the UPPS-1 is connected and ready for use.

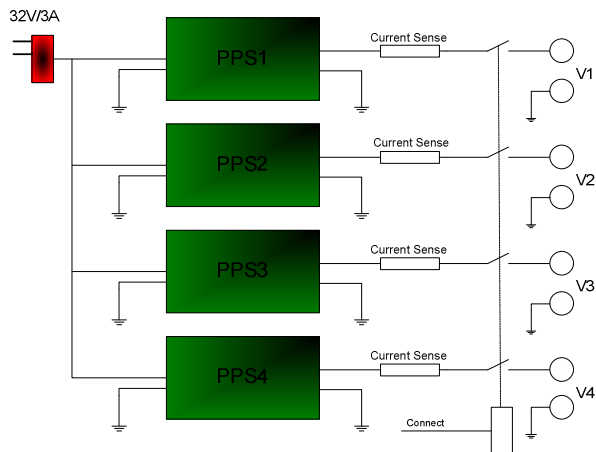
1.4 UPPS-1 Features

- 4 Programmable Power Supplies 0.8-30VDC/3A each
- Ripple <70mV
- 90W maximum output power
- Current limit protection
- Script driven
- Log file record
- S/W Library
- DVM – 0÷50V
- DVM Resolution: ±1%.

Using the UPPS-1

1.5 Programmable Power Supplies (PPS)

There are 4 programmable power supplies in the range of 0.8-30VDC/3A.



All 4 PPS are connected to a common return (GND).

Total power supplied by all PPS 90W

Voltage programmable - 0.8÷30VDC

Current programmable - 0.2÷3A

If current exceeds the limit in any one of the PPS by 5%, all 4 PPS are disconnected.

If voltage exceeds the limit in any one of the PPS by 5%, all 4 PPS are disconnected.

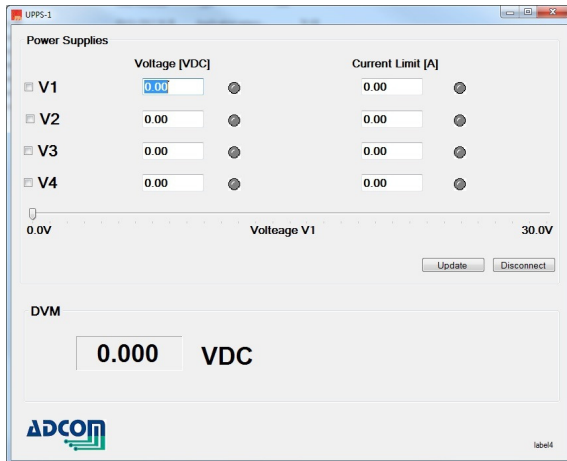
The PPS that exceeds its limit is displayed by Blinking Red LED on the GUI.

All other PPS LEDs blink Green. *Blink or blinking?*

The control software alerts for any excess of power and disconnects all 4 PPS.

To activate an output

Fill the check box of the PPS and key-in the required voltage and current limit.



Press **Update** to output the programmed voltage to the output Banana.
Press **Disconnect** to disconnect all 4 PPS from their outputs.

1.6 DVM

UPPS-1 DVM probe is a standard Scope probe.

Use the DVM BNC to connect the DVM Probe.

Voltage measurement range: 0÷50DC

Resolution: ±1%.

Input impedance: 5MΩ

The user can save the measured values vs. time in a log file for further analysis.

END of User Manual