

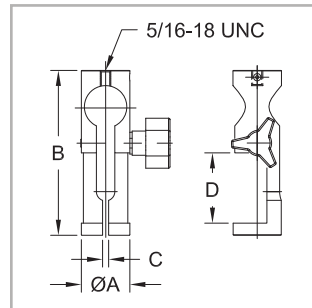
► All dimensions shown as in [mm]

Wire terminal grips

For securing wire terminals, cables, connectors, and other samples for pull testing.

Model No.	Capacity lbF [N]	Weight lb [kg]	ØA	B	C	D
G1001					0 - 0.125 [0 - 3.1]	
G1001-1	200 [1,000]	0.29 [0.13]	1.00 [25.4]	3.40 [86.4]	0.125 - 0.25 [3.1 - 6.3]	1.45 [36.8]
G1001-2					0.25 - 0.375 [6.3 - 9.5]	

Includes 5/16-18M to #10-32F adapter and #10-32 M/M stud with jam nuts



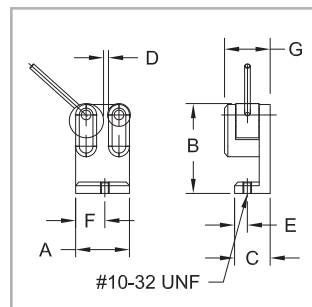
Dual roller grips

For securing the ends of wire, cable, and tubing samples for pull testing. Engaging and disengaging samples is quick and easy via an efficient cam design and convenient side slot for sample insertion. Serrated steel rollers produce effective gripping characteristics.

Model No.	Capacity lbF [N]	Weight lb [kg]
G1002		0.19 [0.09]
G1002-1	200 [1,000]	0.24 [0.11]

Model No.	A	B	C	D	E	F	G
G1002	1.18 [30.0]	2.00 [50.8]	0.75 [19.1]	0 - 0.25 [0 - 6.3]	0.25 [6.4]	0.64 [16.5]	1.0 [25.4]
G1002-1	1.30 [33.0]			0.10 - 0.34 [2.5 - 8.6]			

Includes #10-32 M/M stud with jam nuts

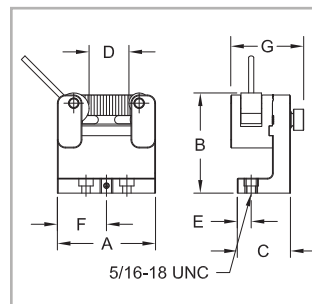


Adjustable dual roller grips

This cam grip secures the ends of tubing, cables, and odd shaped samples for pull testing applications. Engaging and disengaging samples is quick and easy, with a side slot for sample insertion and serrated steel rollers. Rollers can be repositioned as required for the application.

Model No.	Capacity lbF [N]	Weight lb [kg]
G1085	200 [1,000]	0.51 [0.23]

Model No.	A	B	C	D	E	F	G
G1085	2.40 [61.0]	2.45 [62.2]	1.30 [33.0]	0 - 1.00 [0 - 25.4]	0.34 [8.6]	1.20 [30.5]	1.78 [45.3]

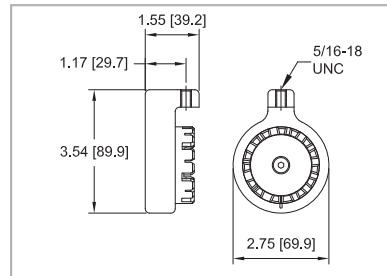


Wire terminal grip - turret style

For securing wire terminals, cables, connectors, and other samples for pull testing. Indexing wheel contains grooves of varying widths to accommodate a wide range of sample shapes and sizes.

Model No.	Capacity lbF [N]	Groove Widths	Weight lb [kg]
G1076	200 [1,000]	0.01 [0.3], 0.03 [0.7], 0.04 [1.0], 0.06 [1.5], 0.08 [2.0], 0.09 [2.3], 0.11 [2.8], 0.12 [3.0], 0.14 [3.5], 0.15 [3.8], 0.17 [4.3], 0.18 [4.5], 0.20 [5.1], 0.21 [5.3], 0.23 [5.8], 0.25 [6.3]	1.00 [0.45]

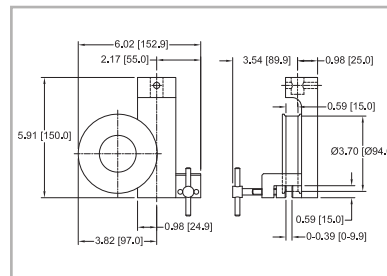
Includes 5/16-18M to #10-32F adapter and #10-32 M/M stud with jam nuts



High capacity wire / rope grip

For high capacity wire and rope pull testing applications. Secures the free end of the sample via a bollard and vise. Integrated eye end.

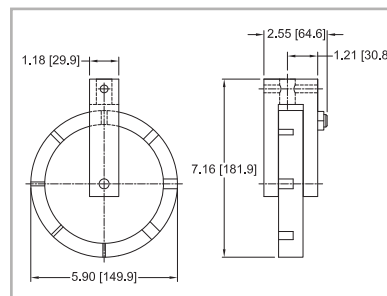
Model No.	Capacity lbF [kN]	Weight lb [kg]
G1092	2,000 [9]	6.0 [2.7]



High capacity wire terminal grip

For securing wire terminals, cables, connectors, and other samples for pull testing. Indexing wheel contains grooves of varying widths to accommodate a wide range of sample shapes and sizes. Integrated eye end.

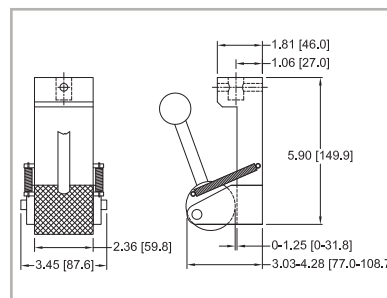
Model No.	Capacity lbF [kN]	Groove Widths	Weight lb [kg]
G1093	2,000 [9]	0.08 [2.0], 0.12 [3.0], 0.16 [4.0], 0.20 [5.0], 0.24 [6.0], 0.31 [8.0], 0.39 [10.0], 0.46 [11.8]	6.4 [2.9]



High capacity eccentric roller grip

Features a serrated cam for effectively securing wires, plastics, textiles, and other materials in pull testing applications. Integrated eye end.

Model No.	Capacity lbF [kN]	Weight lb [kg]
G1094	2,000 [9]	7.4 [3.4]



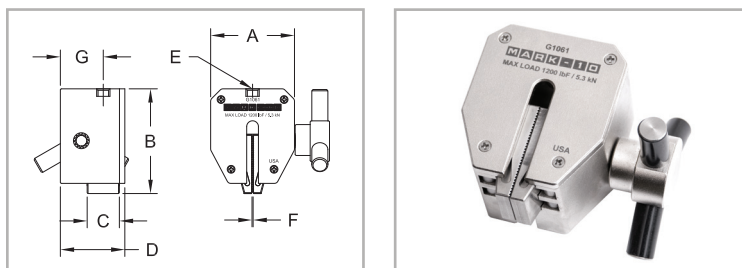
Wedge grips

Heavy-duty grips designed for a range of tensile testing requirements up to 2,000 lbF [10 kN]. Self-tightening stainless steel serrated or rubber jaw faces engage the sample through a spring loaded knob and rack and pinion type mechanism. The jaws ride on rollers, eliminating jamming common in conventional wedge grips.

Model No.	A	B	C	D	E	F	G
G1061-1			0.375 [9.5]	0.95 [24.1]	5/16-18 UNC		0.62 [15.7]
G1061	1.95 [49.5]	2.45 [62.2]	0.75 [19.1]	1.50 [38.1]	5/16-18 UNC	0 - 0.25 [0 - 6.4]	1.00 [25.4]
G1061-2							
G1061-3			1.00 [25.4]	1.75 [44.5]	1/2-20 UNC		1.13 [28.7]

Model No.	Capacity lbF [N]	Weight lb [kg]	Jaw Material / Hardness	Included Adapters
G1061-1	200 [900]	0.50 [0.23]	416 SS / 55 RC	5/16-18M to #10-32F, #10-32 M/M stud*, 5/16-18 M/M stud*
G1061	1200 [5,300]	0.80 [0.36]		
G1061-2	2,000 [9,000]	0.90 [0.41]	Neoprene rubber / Durometer = 70	1/2-20M to 5/16-18F, 1/2-20 M/M stud*, 5/16-18 stud*
G1061-3	50 [250]			

* Includes jam nuts

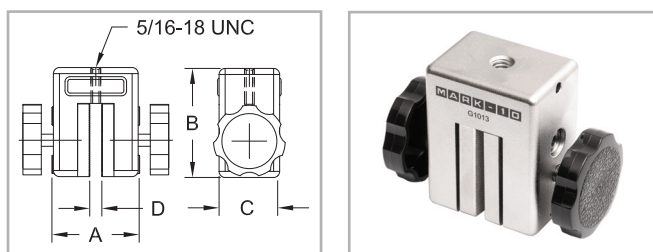


Parallel jaw grip

For general pull testing applications. Manually tightened serrated jaws may be individually positioned.

Model No.	Capacity lbF [N]	Weight lb [kg]	A	B	C	D
G1013	200 [1,000]	0.65 [0.29]	1.75 [44.5]	2.25 [57.2]	1.25 [31.8]	0 - 0.25 [0 - 6.3]

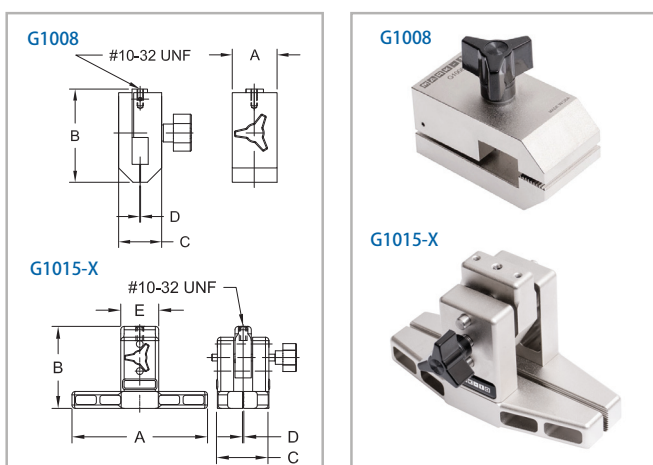
Includes 5/16-18M to #10-32F adapter and #10-32 M/M stud with jam nuts



Film and paper grips

For gripping film, paper, labels, packaging, and other thin materials for tensile and peel testing. Adjustable serrated interlocking jaws grip the sample securely.

Model No.	Capacity lbF [N]	Weight lb [kg]	A	B	C	D
G1008	100 [500]	0.31 [0.14]	1.25 [31.8]	2.50 [63.5]	1.2 [30.5]	0 - 0.15 [0 - 3.8]
G1015-1		0.57 [0.26]	3.00 [76.2]			
G1015-2		0.67 [0.30]	5.00 [127.0]	3.00 [76.2]	1.90 [48.3]	0 - 0.50 [0 - 12.7]
G1015-3		0.77 [0.35]	7.00 [177.8]			



Vise grip - standard

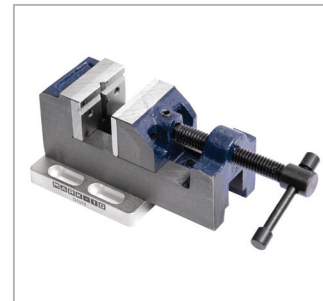
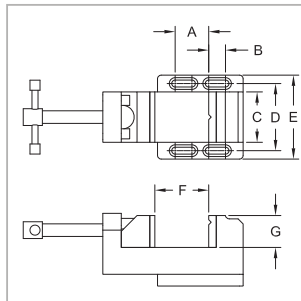
General purpose vise, for a wide range of tension and compression testing applications.

Model No.	Capacity* lbF [N]	Weight lb [kg]
G1074	500 [2,500]	2.00 [1.00]

A	B	C	D	E	F	G
1.00 [25.4]	0.50 [12.7]	1.50 [38.1]	2.00 [50.8]	2.50 [63.5]	0 - 1.50 [0 - 38.1]	1.00 [25.4]

Includes mounting hardware and adapters to mount to the following test stands: ESM303, ESM1500 (when ordered with optional AC1055 mounting plate), ESM301, ESM, ES30, TSC1000, TSF, TSFM500, ES10/ES20 (when ordered with optional AC1060 mounting plate)

* Depending on sample characteristics



Vise grip - self-centering

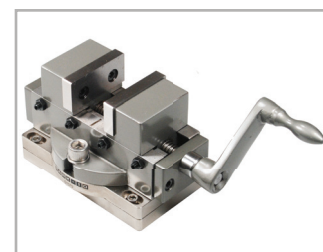
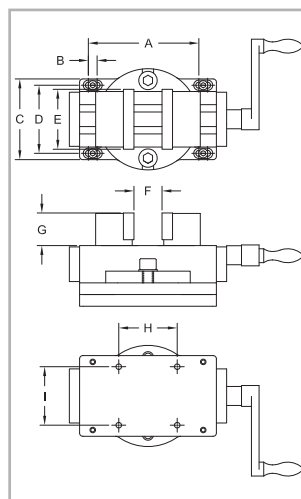
General purpose vise, for a wide range of tension and compression testing applications. Self-centering, replaceable jaws can be field-modified to improve sample gripping characteristics.

Model No.	Capacity* lbF [N]	Weight lb [kg]
G1070	500 [2,500]	5.85 [2.65]

A	B	C	D	E	F	G	H	I
3.78 [96.0]	0.30 [7.6]	2.76 [70.1]	2.33 [59.2]	2.00 [50.8]	0 - 2.00 [0 - 50.8]	1.12 [28.5]	2.00 [50.8]	2.00 [50.8]

Includes mounting hardware and adapters to mount to the following test stands: ESM303, ESM1500 (when ordered with optional AC1055 mounting plate), ESM, ES30, TSC1000, TSF, TSFM500, ES10/ES20 (when ordered with optional AC1060 mounting plate).

* Depending on sample characteristics



ASTM D6195 Loop Tack Fixture

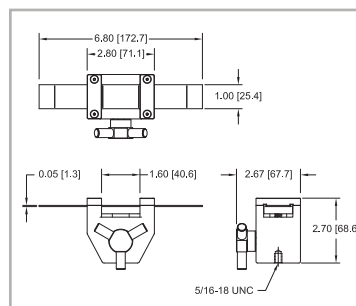
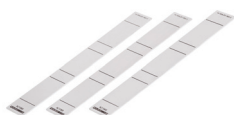
Designed for tack force testing of pressure-sensitive adhesives, in conformance with ASTM D6195 and related standards. A looped sample is loaded onto the test strip, and the closed end of the loop is secured by an upper grip (not included - suggested model: G1008). The test strip may be indexed in three positions, allowing for three tests to be performed between cleaning cycles. The strip is secured and released by a lever-operated clamp.

Model No.	Capacity lbF [N]	Weight* lb [kg]	Test strip material
G1098	100 [500]	1.10 [0.5]	T304 SS, per ASTM A666

* including one test strip

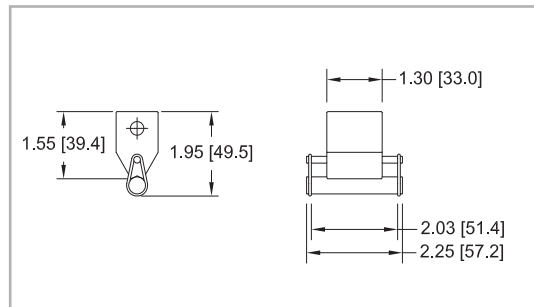
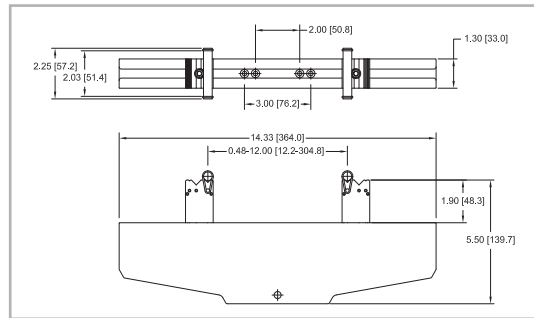
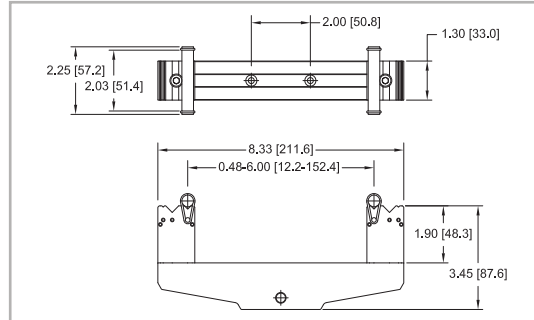
Optional Items

Model No.	Description
AC1068	Test strips for G1098, set of 3



3-point / 4-point Bend Fixtures

Family of bend fixtures designed for 3-point and 4-point bend testing of plastics, metals, ceramics, tubing, and many other materials. Two base sizes are available, along with an upper anvil, and optional roller diameters. Use a base-anvil combination for 3-point bend testing or two bases for 4-point bend testing.



Model No.	Capacity lbF [kN]	Weight lb [kg]	Housing material	Block material	Roller material	Includes
G1095	500 [2.5]	3.0 [1.3]	2024 Al	303 SS	416 SS, hardened	Screws for test stand mounting, two 10 mm dia. rollers and o-rings
G1096	2,000 [10]	7.1 [3.2]	2024 Al	303 SS	416 SS, hardened	Screws for test stand mounting, two 10 mm dia. rollers and o-rings
G1097	2,000 [10]	0.5 [0.2]	303 SS	-	416 SS, hardened	10 mm. dia. roller and o-rings

Optional Items

Model No.	Description
AC1067	Rollers for bend fixtures, 1 mm dia., set of 4
AC1067-1	Rollers for bend fixtures, 2 mm dia., set of 4
AC1067-2	Rollers for bend fixtures, 5 mm dia., set of 4



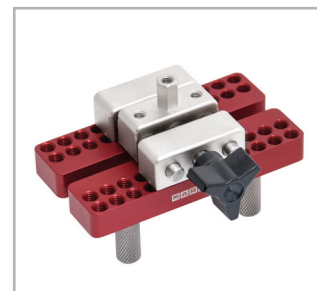
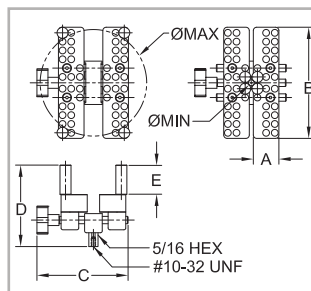
Universal cap grip

For securing caps, lids, and other similar items for torque and pull testing. Accommodates a wide range of sample sizes, and can be used manually with a torque gauge or mounted to a test stand.

Model No.	Capacity	Weight lb [kg]
G1058	100 lbFin [11.3 Nm] or 50 lbF [250 N]	0.75 [0.34]

A	B	C	D	E	ØMIN - ØMAX
0.9 [22.9]	3.8 [96.5]	3.2 [81.3]	2.8 [71.1]	1.0 [25.4]	0.20 - 3.50 [5.1 - 89.0]

Includes #10-32 M/M stud with jam nuts



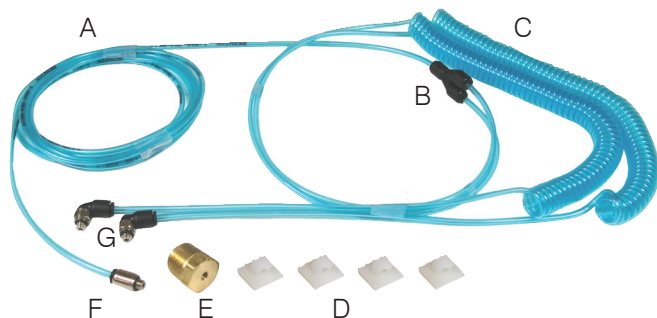
Pneumatic film and paper grip

Fully enclosed, air-powered grip for seal strength testing of packaging, elongation testing of various materials, and other tensile testing requirements. Serrated interlocking jaws effectively grip samples for up to 100 lbF of force. The grip features a unique integrated open/close valve for quick sample engagement and disengagement. An air connection kit, consisting of tubing and fittings needed to connect two grips, is available separately. A membrane repair kit is also available. See below.

Model No.	Capacity	Weight lb [kg]	Max. pressure PSI (MPa)	Air input thread	A
G1046	100 lbF [500 N] at 100 PSI [0.86 MPa]	0.58 [0.26]	125 [0.86]	#10-32 UNF	0 - 0.13 [0 - 3.3]

Includes #10-32 M/M stud with jam nuts, one spare rubber membrane*, one alcohol wipe, and two cotton swabs

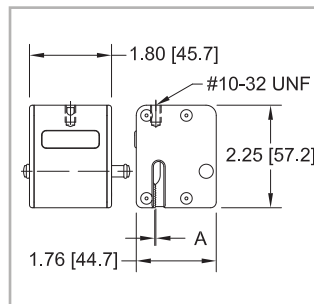
The optional air connection kit consists of:



The optional maintenance kit* consists of:

1. Rubber membrane (qty. 5)
2. Alcohol wipe (qty. 5)
3. Cotton swab (qty. 12)
4. Wrench set

* The flexible internal membrane actuating the movable jaw has a variable life expectancy dependent upon the maximum air pressure used and the quality of the compressed air. It should be free from impurities, solvents and oils. Since field conditions are outside of Mark-10's control, the standard 3-year warranty does not apply to the flexible membrane. For convenience, a spare membrane and alcohol wipe is included with every new grip. A membrane repair kit is available from Mark-10.



- A. Straight tubing, 1/8" OD, 1/16" ID, 5' length (qty. 1)
- B. Y-splitter (qty. 1)
- C. Coiled tubing, 1/8" OD, 1/16" ID, 8" retracted length (qty. 2)
- D. Adhesive-backed guide (qty. 4)
- E. Straight fitting, tubing to #10-32M (qty. 1)
- F. Thread adapter, #10-32F to 1/4" NPT M (qty. 1)
- G. Elbow fitting, tubing to #10-32M (qty. 1)

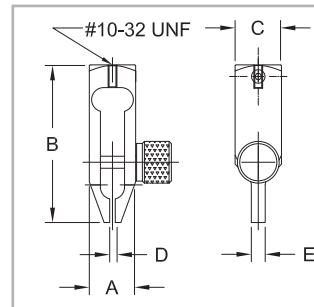
Model No.	Description
AC1019	Air connection kit for G1046
AC1044*	Maintenance kit for G1046*

Miniature component grip

For testing small and hard-to-reach electronic and mechanical components. Slender profile allows this grip to be used in a wide range of applications.

Model No.	Capacity lbF [N]	Weight lb [kg]	A	B	C	D	E
G1003	30 [150]	0.05 [0.02]	0.5 [12.7]	1.7 [43.2]	0.5 [12.7]	0 - 0.07 [0 - 1.8]	0.15 [3.8]

Includes #10-32 M/M stud with jam nuts



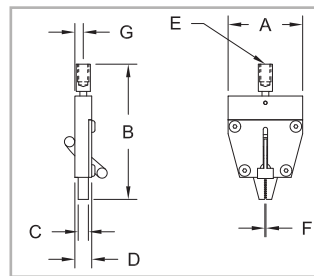
Miniature wedge grip

For general low force pull testing applications. The serrated, self tightening steel jaws are easily opened with a spring-loaded lever.

A	B	C	D	E	F	G
1.37 [34.8]	2.49 [63.1]	0.19 [4.8]	0.32 [8.1]	#10-32 UNF	0 - 0.09 [0 - 2.3]	0.15 [3.9]

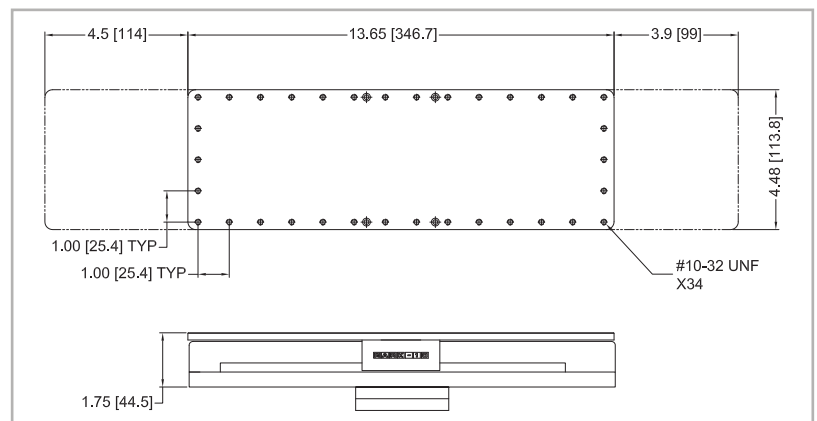
Model No.	Capacity lbF [N]	Weight lb [kg]
G1062	100 [500]	0.08 [0.04]

Includes #10-32 M/M stud with jam nuts



90° peel fixture

For the testing of adhesives, films, and various types of packaging. Maintains a 90° angle between the table and direction of pull. Optional limit switch stops travel on a motorized test stand, preventing cable breakage. Maximum load of 5 lbF [25 N].



← G1045-1 optional limit switch

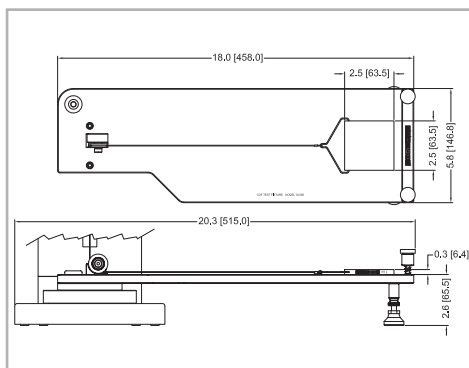
Model No.	Description
G1045	90° peel fixture
G1045-1	Limit switch for G1045

Includes mounting hardware and adapters to mount to the ESM303, ESM301, ESM, and ES30 test stands. Recommended for use with a motorized test stand.

Coefficient of friction fixture

The G1086 can be used for a wide range of materials, ideal for conformance to ASTM D1894 and other relevant standards. Static and kinetic coefficients can be measured using the M5-2-COF gauge.

Model No.	Description
G1086	Coefficient of friction fixture



Score bending fixture

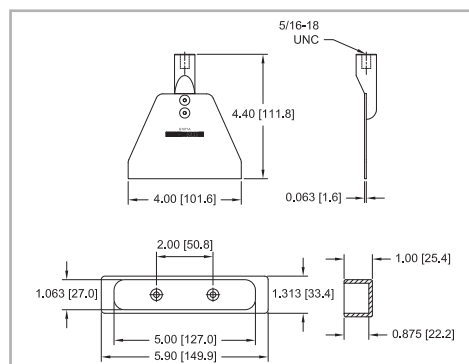
Used to produce a 90° bend in fiber board materials and plastics to conform to TAPPI standard T829. Set of upper and lower dies.

Model No.	Capacity lbF [N]	Weight lb [kg]
G1071	50 [250]	Upper die: 0.15 [0.67] Lower die: 0.30 [0.14]

Upper die includes a 5/16-18M to #10-32F thread adapter and #10-32 M/M stud with jam nuts.

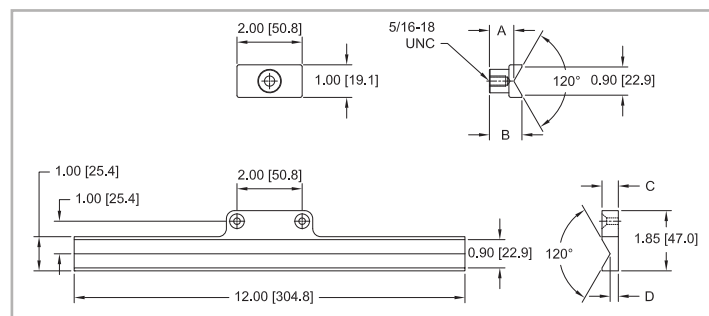
Lower die includes mounting hardware for the following test stands: ESM303, ESM1500 (when ordered with optional AC1055 mounting plate), ESM301, ESM, ES30, TSC1000, TSF, TSFM500, ES10/ES20 (when ordered with optional AC1060 mounting plate).

A motorized test stand is required to fulfill the test speed requirement of TAPPI T829.



Opening force fixture

Used to determine the opening force of flat folded cartons along score lines. Set of upper and lower dies.



Model No.	Capacity lbF [N]	Weight lb [kg]	A	B	C	D
G1072	50 [250]	Upper die: 0.06 [0.03] Lower die: 0.10 [0.05]	0.75 [19.1]	1.00 [25.4]	0.50 [12.7]	0.25 [6.4]

Upper die includes a 5/16-18M to #10-32F thread adapter and #10-32 M/M stud with jam nuts.

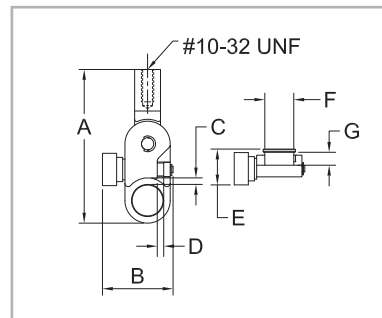
Lower die includes mounting hardware for the following test stands: ESM303, ESM1500 (when ordered with optional AC1055 mounting plate), ESM301, ESM, ES30, TSC1000, TSF, TSFM500, ES10/ES20 (when ordered with optional AC1060 mounting plate). A motorized test stand is recommended.

Miniature filament grip

For securing small diameter wires and filaments. The sample wraps around the bollard and the loose end is secured by the adjustable jaw. Integrated swivel ensures sample alignment under load.

Model No.	Cap. lbF [N]	Weight lb [kg]	A	B	C	D	E	F	G
G1078	50 [250]	0.06 [0.03]	2.38 [60.4]	1.09 [27.7]	0.10 [2.5]	0.10 [2.5]	0.55 [14.1]	Ø0.45 [11.4]	0.20 [5.1]

Includes #10-32 M/M stud with jam nuts

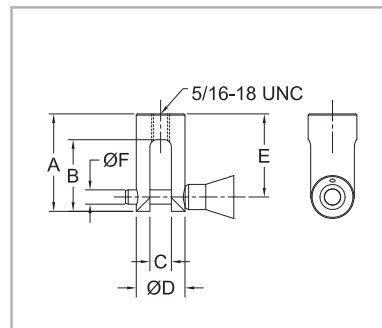


Clevis grip

This grip is designed for ergonomic assessment, spring testing, and other pull testing applications.

Model No.	Capacity lbF [N]	Weight lb [kg]	A	B	C	D	E	ØF
G1077	500 [2,500]	0.29 [0.13]	1.70 [43.2]	1.25 [31.8]	0.38 [9.7]	0.85 [21.6]	1.45 [36.8]	0.25 [6.3]

Includes a 5/16-18M to #10-32F thread adapter, 5/16-18 M/M stud with jam nuts, and #10-32 M/M stud with jam nuts

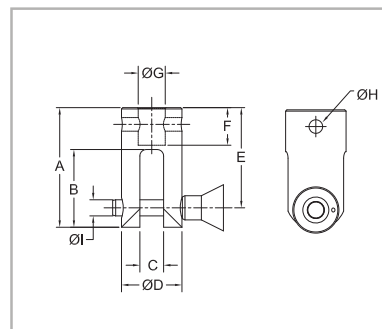


High capacity clevis grip

This high capacity grip is designed for spring testing and pulling testing applications. Integrated eye end.

Model No.	Capacity lbF [kN]	Weight lb [kg]
G1090	2,000 [9]	0.78 [0.35]

A	B	C	ØD	E	F	ØG	ØH
2.77 [70.4]	1.80 [45.7]	0.55 [14.0]	1.40 [35.6]	2.32 [58.9]	0.87 [22.1]	0.63 [15.9]	0.32 [8.0]



Syringe compression fixture

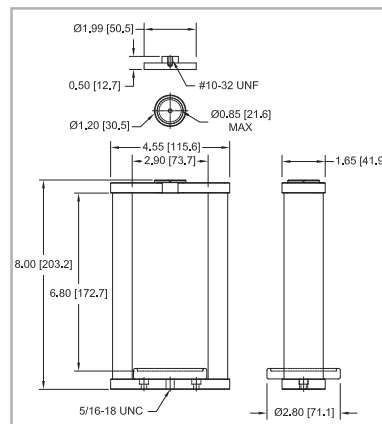
Designed to test compression force of a syringe plunger, as per ISO 7886-1 and other relevant standards.

Consists of:

1. Frame
2. Replaceable blank inserts (4)
3. Cup tray
4. G1009 compression plate

Model No.	Capacity lbF [N]	Weight lb [kg]
G1089	100 [500]	1.89 [0.86]

Includes 5/16-18 M/M stud with jam nuts

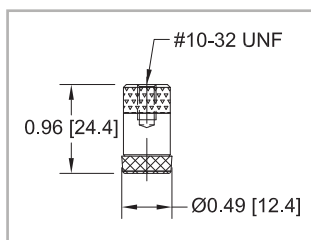


Rubber tip

Simulates a finger for testing pushbuttons, membrane switches, touch-screen panels, keyboards, etc.

Model No.	Capacity lbF [N]	Weight lb [kg]
G1011	50 [250]	0.01 [0.004]

Includes #10-32 M/M stud with jam nuts

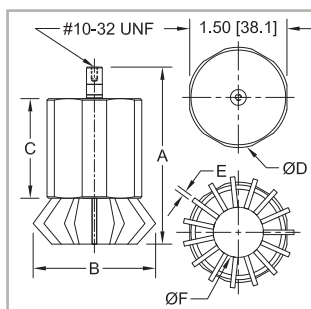


Multi-jaw grip

For gripping round or odd shaped items. Jaws expand and retract by rotating the housing.

Model No.	Cap.	Weight lb [kg]	ØA	B	C	ØD	E	ØF
G1056	100 lbF [500 N]	0.30 [0.14]	3.50 [88.9]	2.30 [58.4] MAX	1.63 [41.4]	1.55 [39.4]	0.075 [1.91]	0.40 - 1.25 [10.2 - 31.7]

Includes #10-32 M/M stud with jam nuts

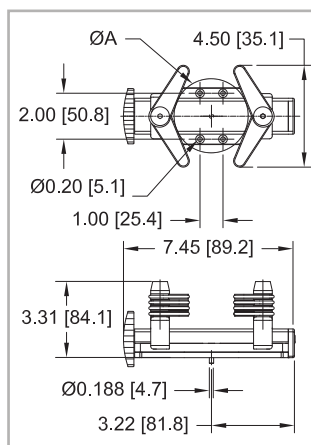


Universal bottle grip

For gripping bottles and containers in closure torque testing applications. Eight rubber edged gripping arms secure a wide range of sample shapes and sizes and may be individually positioned at angles up to 180°. Mounts directly to Series TST torque test stands, most force test stands, and G1045 90° peel fixture for applications such as top load testing and 90° peel testing.

Model No.	Capacity lbFin [Nm]	Weight lb [kg]	ØA
G1023	100 [11.3]	1.50 [0.7]	4.80 [122.0] MAX

Model No.	Description
G1068	Adapter, G1023 to force test stand / G1045 fixture



G1023 includes mounting hardware for Series TST test stands or G1068 adapter.

G1068 includes mounting hardware for the G1023 fixture and the following test stands: ESM303, ESM1500 (when ordered with optional AC1055 mounting plate), ESM301, ESM, ES30, TSC1000, TSF, TSFM500, ES10/ES20 (when ordered with optional AC1060 mounting plate)

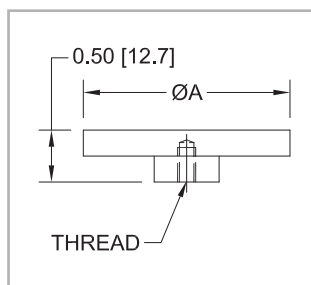
Compression plates

For compressing springs, foams, cartons, aerosol cans, and many other products.

Model No.	Capacity lbF [N]	Weight lb [kg]	ØA	Thread
G1009	200 [1,000]	0.08 [0.04]	2.0 [51.0]	#10-32 UNF
G1009-1	500 [2,500]	0.27 [0.12]	3.0 [76.2]	5/16-18 UNC

G1009 includes #10-32 M/M stud with jam nuts

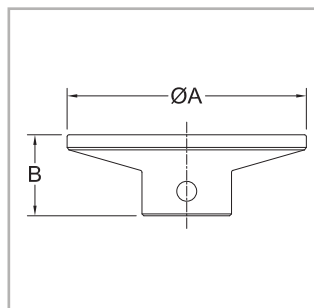
G1009-1 includes 5/16-18M/M stud with jam nuts



High capacity compression plates

For compression spring testing, top load testing, and other applications. Integrated eye end.

Model No.	Capacity lbF [kN]	Weight lb [kg]	ØA	B	Material
G1087	2,000 [9]	1.50 [55.9]	3.78 [96.0]	1.28 [32.5]	303 SS
G1087-1	2,000 [9]	0.63 [0.29]	2.20 [55.9]	1.18 [30.0]	



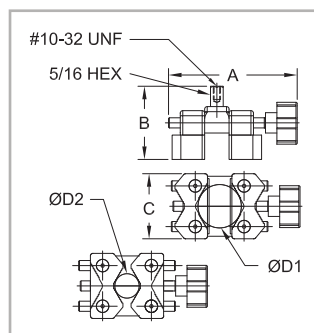
Universal V-jaw grip

For gripping round objects. Serrated, reversible aluminum jaws effectively grip a wide range of sample shapes and sizes. Mounts directly to Series R50 and R51 torque sensors, Mark-10 force gauges, and force test stands.

Model No.	Torque Capacity lbFin [Nm]	Force Capacity lbF [N]	Weight lb [kg]
G1053	100 [11.3]	100 [500]	0.39 [0.18]

A	B	C	ØD1*	ØD2*
3.1 [78.7]	2.0 [50.8]	1.6 [40.6]	1.10 - 1.55 [27.9 - 39.4]	0.65 - 1.10 [16.5 - 27.9]

* Jaws must be reversed to switch from ØD1 to ØD2



Includes #10-32 M/M stud with jam nuts

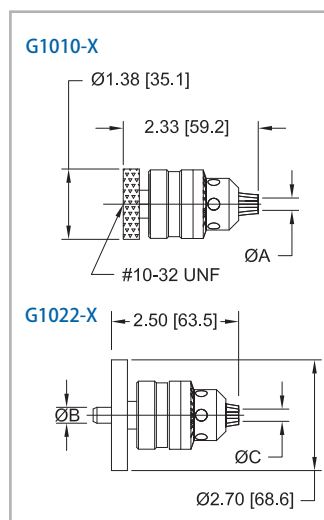
Chuck grips

For securing round samples, fixtures, or bits. G1010-X is typically used in force measurement applications, mounted to a force gauge or test stand. G1022-X is typically mounted to a Series TST torque test stands for torque measurement applications.

Model No.	Capacity lbF [N]	Weight lb [kg]	ØA	ØB	ØC
G1010	30 lbF [150 N]	0.35 [0.16]	0.062 - 0.375 [1.6 - 9.5]	N/A	N/A
G1010-1		0.25 [0.11]	0.028 - 0.25 [0.7 - 6.3]		
G1010-2		0.66 [0.30]	0.078 - 0.5 [2.0 - 12.7]		
G1022-1	100 lbFin [11.3 Nm]	0.50 [0.23]	N/A	0.188 [4.7]	0.028 - 0.250 [0.7 - 6.3]
G1022-2					0.062 - 0.375 [1.6 - 9.5]
G1022-3					0.078 - 0.500 [2 - 12.7]

G1010-X includes a #10-32 M/M stud with jam nuts

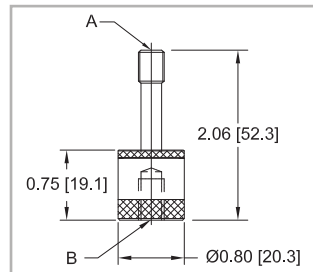
G1022-X includes mounting hardware for Series TST torque test stands



Swivel adapters

For use between any grip and force gauge to provide a swiveling action for proper sample alignment.

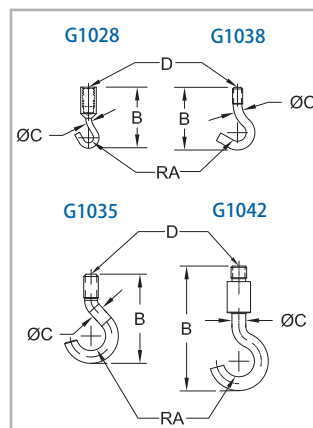
Model No.	Capacity lbF [N]	Weight lb [kg]	A	B
G1018-1	200 [1,000]	0.12 [0.05]	#10-32M	#10-32F
G1018-2	500 [2,500]	0.27 [0.12]	5/16-18M	5/16-18F



Hooks

For pull testing of various samples.

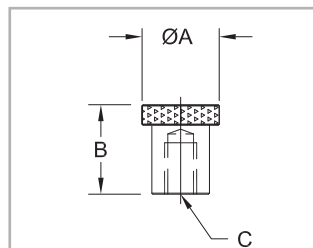
Model No.	Capacity lbF [N]	Weight	RA	B	ØC	D
G1028	20 [100]	0.010 [0.005]	0.05 [1.3]	1.00 [25.4]	0.10 [2.5]	#10-32F
G1038	200 [1,000]	0.020 [0.009]	0.20 [5.1]	1.50 [38.1]	0.19 [4.8]	#10-32M
G1035	500 [2,500]	0.050 [0.023]	0.30 [7.6]	1.90 [48.3]	0.28 [7.1]	5/16-18M
G1042	1,000 [4500]	0.320 [0.145]	0.5 [12.7]	4.10 [104.1]	0.45 [11.4]	1/2-20M



Flat heads

For compression testing of buttons, membrane switches, etc.

Model No.	Capacity lbF [N]	Weight lb [kg]	ØA	B	C
G1029	200 [1,000]	0.01 [0.005]	0.5 [12.7]	0.5 [12.7]	#10-32F
G1036	500 [2,500]	0.06 [0.027]	0.75 [19.1]	0.87 [22.1]	5/16-18F



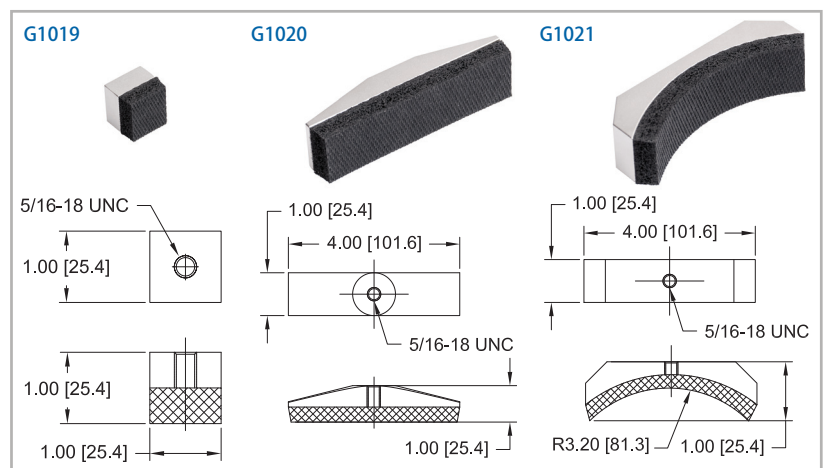
Padded attachments

For applications in physical therapy and ergonomics, including muscle strength testing, job task requirements, and more.

Model No.	Capacity lbF [N]	Weight lb [kg]
G1019	500 [2,500]	0.03 [0.01]
G1020	500 [2,500]	0.13 [0.06]
G1021	500 [2,500]	0.25 [0.11]

Includes a 5/16-18M to #10-32F adapter and #10-32M/M stud with jam nuts

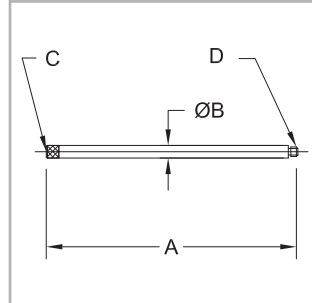
* Jaws must be reversed to switch from ØD1 to ØD2



Extension rods

For use between a force gauge and another attachment, such as a hook or compression plate.

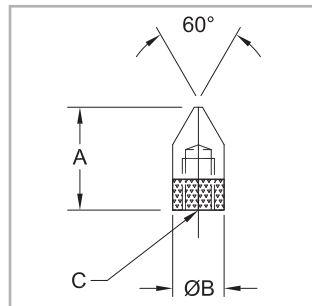
Model No.	Capacity lbF [N]	Weight lb [kg]	A	ØB	C	D
G1024	200 [1,000]	0.05 [0.023]	5.0 [127.0]	0.25 [6.4]	#10-32F	#10-32M
G1024-1		0.02 [0.009]	2.0 [50.8]			
G1024-2		0.01 [0.005]	1.0 [25.4]			
G1031	500 [2,500]	0.25 [0.113]	5.0 [127.0]	0.50 [12.7]	5/16-18F	5/16-18M
G1031-1		0.10 [0.045]	2.0 [50.8]			
G1031-2		0.25 [0.113]	1.0 [25.4]			



Chisel points

For compression testing applications.

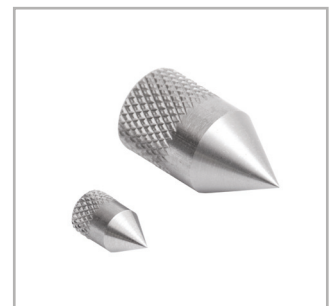
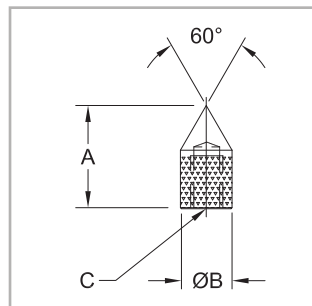
Model No.	Capacity lbF [N]	Weight lb [kg]	A	ØB	C
G1025	200 [1,000]	0.003 [0.001]	0.50 [12.7]	0.25 [6.4]	#10-32F
G1032	500 [2,500]	0.040 [0.018]	1.00 [25.4]	0.50 [12.7]	5/16-18F



Cone points

For various compression and puncture testing applications.

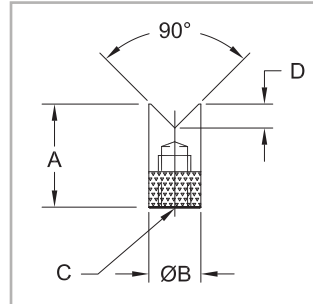
Model No.	Capacity lbF [N]	Weight lb [kg]	A	ØB	C
G1026	200 [1,000]	0.003 [0.001]	0.50 [12.7]	0.25 [6.4]	#10-32F
G1033	500 [2,500]	0.030 [0.014]	1.00 [25.4]	0.50 [12.7]	5/16-18F



V-grooves

For compression testing of round or odd-shaped samples.

Model No.	Capacity lbF [N]	Weight lb [kg]	A	ØB	C	D
G1027	200 [1,000]	0.004 [0.002]	0.50 [12.7]	0.25 [6.4]	#10-32F	0.08 [2.0]
G1034	500 [2,500]	0.040 [0.018]	1.00 [25.4]	0.50 [12.7]	5/16-18F	0.25 [6.4]



Thread adapters & couplings

For use between force gauge shafts, test stands, grips, and attachments.

Model No.	Capacity lbF [N]	Length	Thread A	Thread B
G1050	100 [500]	0.75 [19.1]	#4-40M	#10-32F
G1051		0.55 [14.0]	#4-40M	#10-32M
G1039	200 [1,000]	0.75 [19.1]	#10-32F	#10-32F
G1030		0.50 [12.7]	5/16-18M	#10-32F
G1057		1.00 [25.4]	#10-32F	M6F
G1060		0.50 [12.7]	#10-32M	#10-32M
G1047		0.75 [19.1]	#10-32M	M4F
G1048		0.75 [19.1]	M4M	#10-32F
G1054		0.75 [19.1]	M6M	#10-32F
G1063		1.30 [33.0]	#10-32M	5/16-18F
G1067		0.75 [19.1]	#10-32F	1/2-20M
G1040		500 [2,500]	0.92 [23.4]	5/16-18M
G1037	1.00 [25.4]		5/16-18F	5/16-18F
G1049	1.25 [31.8]		M6M	5/16-18F
G1059	1.13 [28.7]		5/16-18F	1/2-20F
G1041	1.06 [26.9]		1/2-20M	5/16-18M
G1066	0.75 [19.1]		5/16-18F	1/2-20M
G1069	1.25 [31.8]		5/16-18F	1/4-28M
G1091	1.30 [33.0]		1/2-20F	1/2-20F
G1044	1,000 [5,000]	Adapter plate, 1/2-20F. Compatible with the following test stands: ESM303, ESM1500 (when ordered with optional AC1055 mounting plate), ESM301, ESM, TSF, TSFM500(-DC), TSB100, TSC1000, and ES10/ES20 (when ordered with optional AC1060 mounting plate). Mounting hardware included. Pictured at right.		

