

CMS-300

DISPENSER

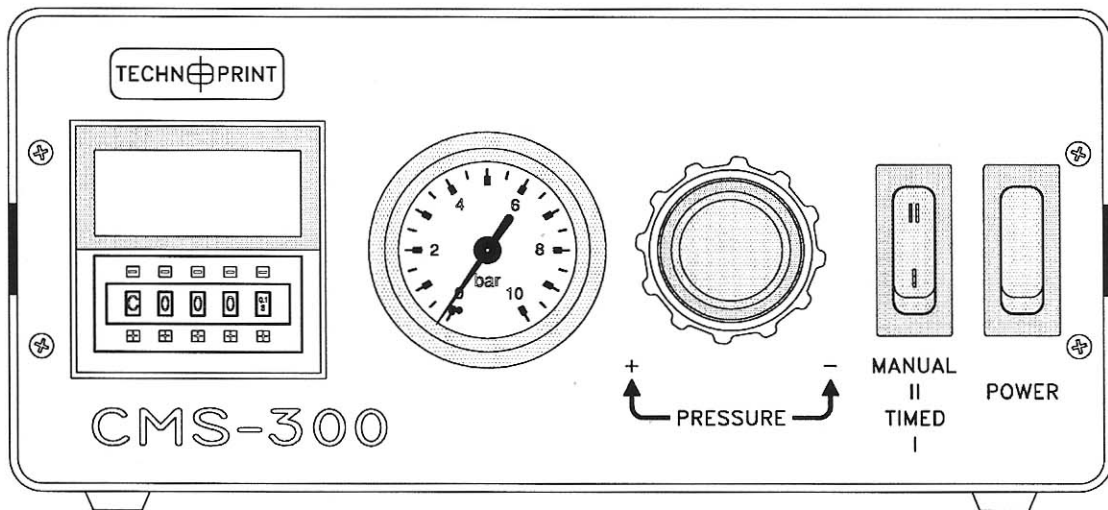


Table of contents

Introduction	2
Machine overview	3
Function description.	4
Timer	4
Selection switch	4
Reduction valve	4
Dispense pressure adjustment	4
Main switch	4
Directions of use:	5
Maintenance and care:	5

Introduction

The CMS-300 is a very practical dispenser for solder cream, glue, etc. This device can function alone or in combination with a Technoprint CMS-1000 compact manipulator arm.

Features include:

- * Dispenses with precise timing by use of the digital timer
- * Continuous dispensing
- * Foot pedal control
- * CMS-1000 compact manipulator arm control

Technical specifications

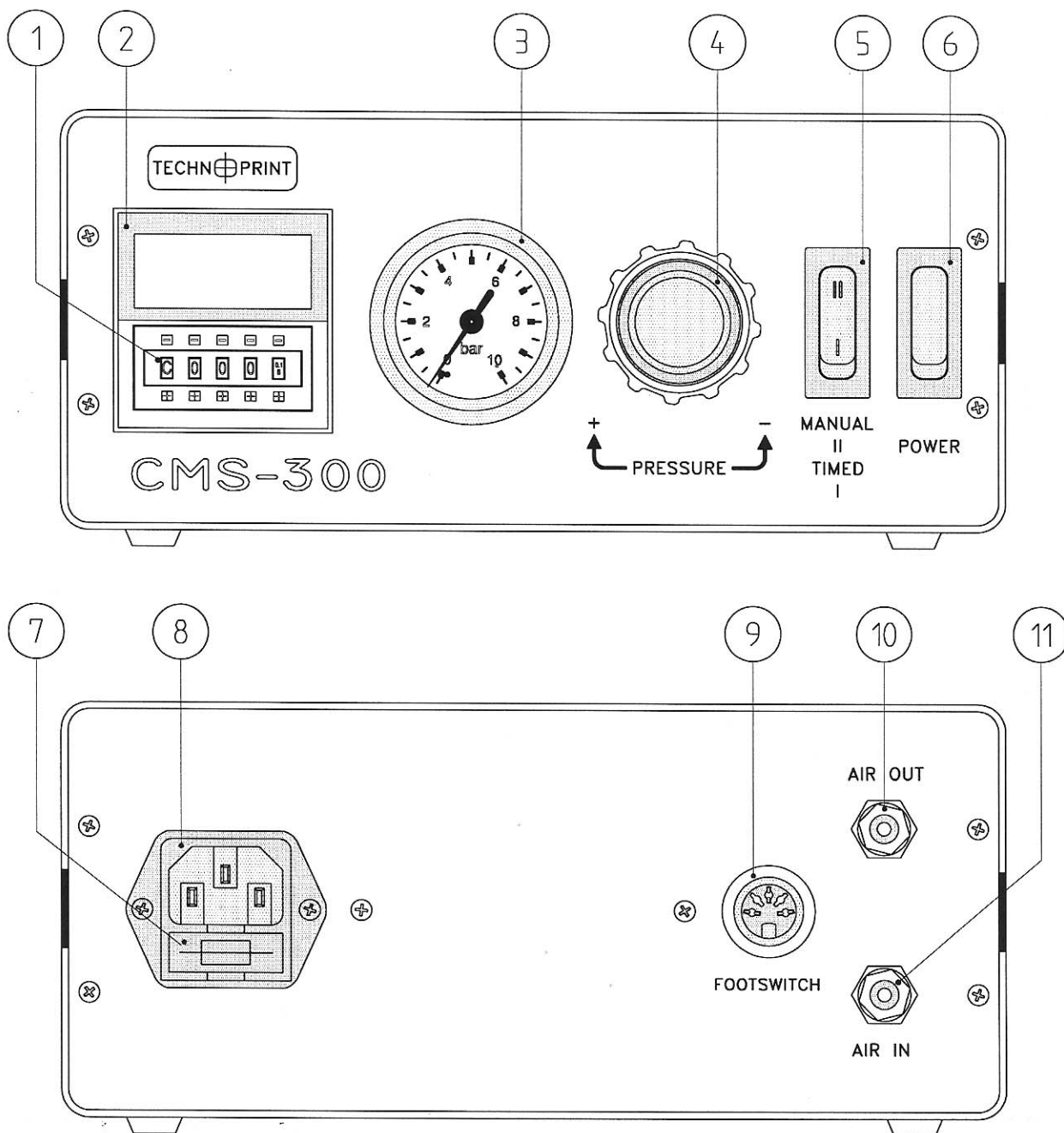
Main power supply 220-240V/50Cs.

Weight 1,3 kg.

Automatic dispense pulse via the digital timer starting from 0.1 sec.

Maximum air pressure 6 bar.

Machine overview



- 1 Function-key timer
- 2 Timer
- 3 Manometer
- 4 Reduction valve
- 5 Selection switch
- 6 Main switch
- 7 Fuse 1 Ampere
- 8 Main power connector 220-240 Volt
- 9 Foot switch connector
- 10 Air pressure outlet (dispense pressure)
- 11 Air pressure inlet

Directions of use:

Working with the CMS-300 is very simple and requires no further directions. See the drawings for use of controls.

Maintenance and care:

Use the CMS-300 only in a dry, clean place, and strictly avoid aggressive environmental conditions, such as etching equipment. Check all air tubes for signs of wear once a month

WARRANTY:

Like all of our other products the CMS-300 has a full one year warranty against faults in material or production.

Any defective part under these warranty will be repaired or replaced at our cost. The whole unit must be returned to us, transportation payable by the customer, together with a detailed description of the fault.

Fuses as well as defects due to wrong use or lack of care are not covered under this warranty.

Directions of use:

Working with the CMS-300 is very simple and requires no further directions. See the drawings for use of controls.

Maintenance and care:

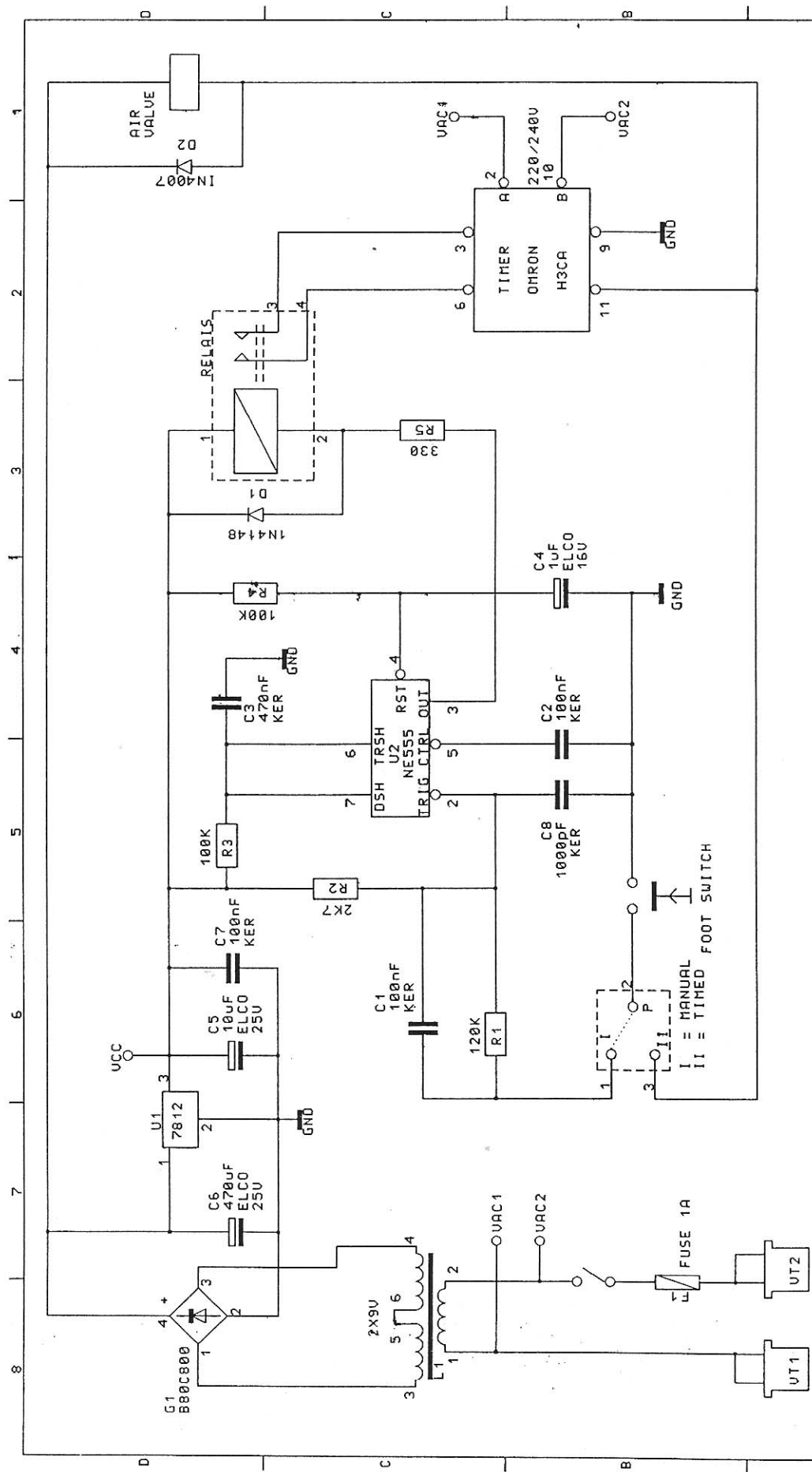
Use the CMS-300 only in a dry, clean place, and strictly avoid aggressive environmental conditions, such as etching equipment. Check all air tubes for signs of wear once a month

WARRANTY:

Like all of our other products the CMS-300 has a full one year warranty against faults in material or production.

Any defective part under these warranty will be repaired or replaced at our cost. The whole unit must be returned to us, transportation payable by the customer, together with a detailed description of the fault.

Fuses as well as defects due to wrong use or lack of care are not covered under this warranty.



TECHNO PRINT		TEL +31-03417-63026	
VELDZICHTWEG 10		3851 SH ERMELO	
NEDERLAND		NEDERLAND	
Titel: CMS-300		Ontwerp: L. KUIL	
Rev: Document number: CMS01P00		Pag: 1	
Datum: 10 FEBRUARI 1993		Jan. 1	