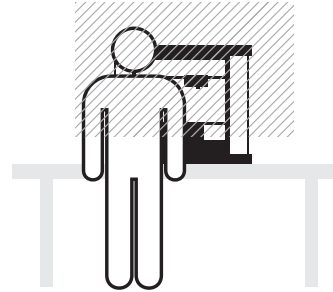


PrintPRO 4

PRINTPRO for large enclosed 3D printers



The BOFA 3D PrintPRO 4 provides a high fume evacuation and filtration rate when connected to a large enclosed 3D printer via its extraction offtake point. The system can also return the ultra clean, filtered air either back to the printer enclosure for a cleaner print area or to the operator's breathing zone.

The BOFA 3D PrintPRO 4 combines high flow rate with speed control within a compact free standing unit.

STANDARD FEATURES:

- Digital speed control
- Filter change indicator
- 3 level filtration - Pre and HEPA/chemical filters
- Hose kit included
- Low noise level
- Powder coated for durability
- Small footprint
- Compact size
- CE approvals

OPTIONAL FEATURES:

- 24V Remote stop / start interface

TECHNOLOGY:



DeepPleat filter technology



HEPA filter technology



Advanced Carbon Filter technology



SureCheck Quality Standard

SYSTEM FILTERS:



SYSTEM VIEWS:



UNIT PART NUMBERS			OPTIONS
Model	Voltage	Part No.	24V Stop / Start
3D PrintPRO 4 Powder Coated	230V	L5644	A2001
	115V	L5645	

REPLACEMENT FILTER PART NUMBERS		
Model	Pre Filter	Combined HEPA/Gas Filter
3D PrintPRO 4	A1030153	A1030191

TECHNICAL DATA		
	EU	US
Dimensions (HxWxD)	677 x 377 x 420mm	26.7 x 14.8 x 16.5"
Cabinet Construction	Powder coated mild steel	
Airflow / Pressure	165m ³ /hr	97cfm
Electrical Data	230v 1ph 50/60Hz Full load current: 10amps	115v 60/50Hz Full load current: 10amps
Noise Level	< 49dBA*	
Weight	32kgs	70lbs
Approvals	CE	CE

* At typical operating speed.

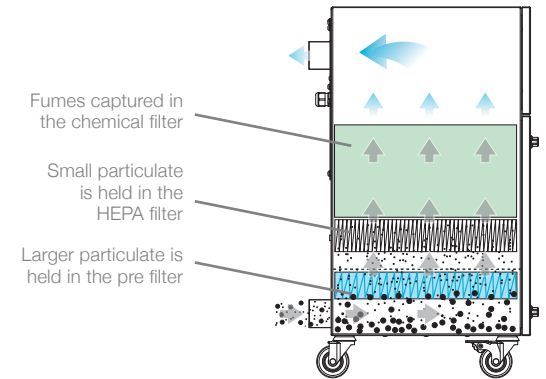
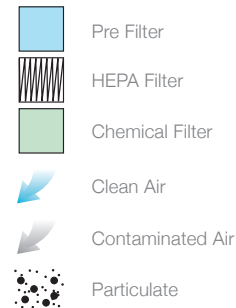
DEEPPLEAT PRE FILTER SPECIFICATIONS	
Surface Media Area	1.74m ² approx
Filter Media	Glass Fibre
Filter Media Construction	50mm Maxi Fold Construction with Webbing Spacers
Filter Efficiency	F8 (95% @ 0.9 microns)

COMBINED FILTER SPECIFICATIONS	
HEPA Filter Media	Glass Fibre
HEPA Media Construction	50mm Maxi Fold construction with Webbing Spacers
Filter Housing	Zintec Mild Steel
Treated Activated Carbon	6.75kgs
Filter Efficiency	99.997% @ 0.3 microns

HOSE KIT	
	<ol style="list-style-type: none"> 50mm cuff x 2 50mm x 1.5m flexible hose

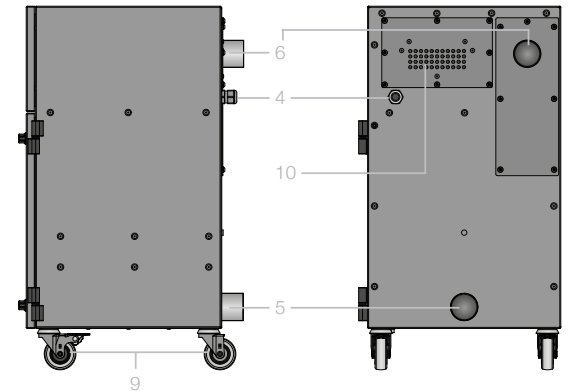
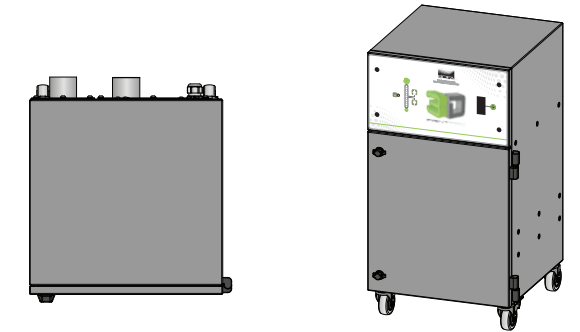
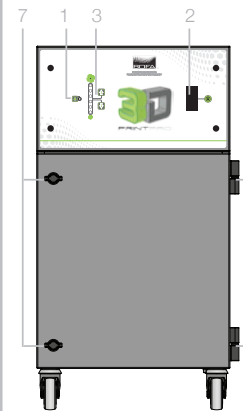
Other hose kits and filters are available. All of the above units are fitted with our standard filter combinations. For specific applications please call us for details. Replacement filters should always be ordered using the part number on the filters inside your extractor to ensure the correct filter is ordered. Datasheet correct at time of print.

AIRFLOW THROUGH FILTERS



TECHNICAL SPECIFICATION

- Filter Change Indicator
- On / Off Switch
- Digital Speed Control
- Power Cable Inlet
- Hose Inlet Connections - 50mm
- Exhaust Outlet - 50mm
- Door Latches
- Door Hinges
- Castors
- Motor Cooling Inlet



3D-PrintPRO4:714/15/15 V:1.3



BOFA INTERNATIONAL LTD

Tel: +44 (0) 1202 699 444 Fax: +44 (0) 1202 699 446 Email: sales@bofa.co.uk Web: www.bofa.co.uk

BOFA AMERICAS, INC

Tel: (618) 205 5007 Fax: (866) 707 2632 Email: sales@bofaamericas.com Web: www.bofaamericas.com



British Quality

