
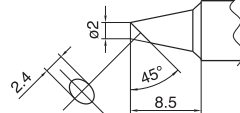
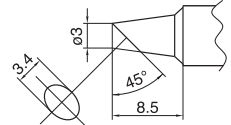
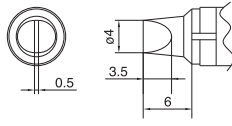
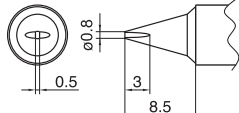
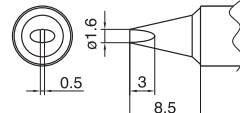
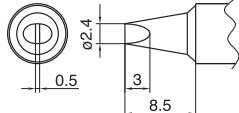
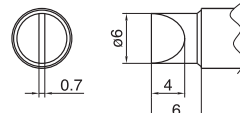
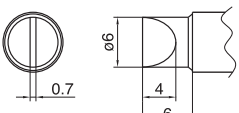
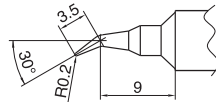
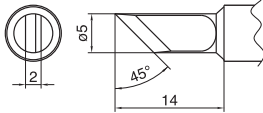
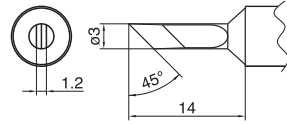
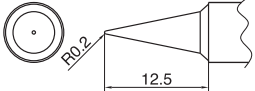


■ Optional Tips

Unit: mm

Tip	Applicable Nozzle Assembly	Tip	Applicable Nozzle Assembly
T14-B2 Shape-0.5B 	B3121 Nozzle assembly A	T14-BC2 Shape-2BC 	B3121 Nozzle assembly A
T14-BC3 Shape-3BC 	B3121 Nozzle assembly A	T14-C6 Shape-6C 	B3124 Nozzle assembly D
T14-D08 Shape-0.8D 	B3121 Nozzle assembly A	T14-D16 Shape-1.6D 	B3121 Nozzle assembly A
T14-D24 Shape-2.4D 	B3121 Nozzle assembly A	T14-D4 Shape-4D 	B3124 Nozzle assembly D
T14-D6 Shape-6D 	B3124 Nozzle assembly D	T14-J02 Shape-0.2RSB 	B3122 Nozzle assembly B
T14-K Shape-K 	B3123 Nozzle assembly C	T14 KU Shape KU 	B3122 Nozzle assembly B
T14-LB Shape-LB 	B3121 Nozzle assembly A		

Specifications and design are subject to change without notice.
Copyright Hakko Corporation. All right reserved.